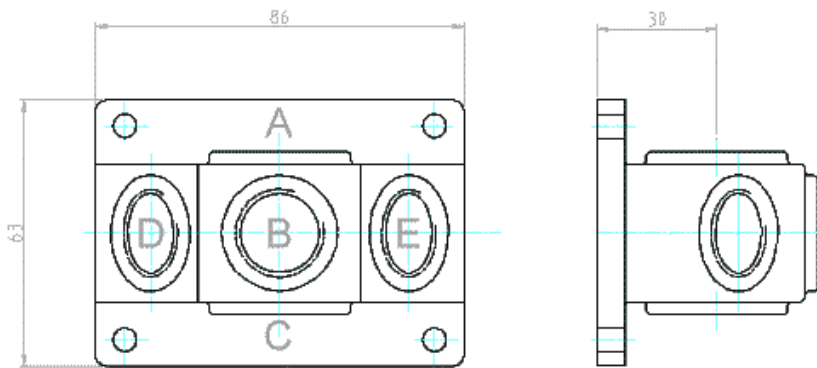


## Druckluftwanddosen Grundkörper Typ „SAMAD“

- Aluminium-Kokillen-Guß
- Plast-Pulverbeschichtung innen und außen
- Strömungsoptimierter Hohlraum
- Betriebsdruck max. 25 bar
- Farbe RAL 9005 schwarz, andere Farben auf Anfrage



Bestellnummer	Bohrung				
	A	B	C	D	E
19.L03.002	3/4 "	1/2 "	1/2 "	-	-
19.L03.003	1/2 "	1/2 "	-	-	-
19.L03.005	1/2 "	1/2 "	-	1/2 "	1/2 "
19.L03.006	3/4 "	1/2 "	-	1/2 "	1/2 "
19.L03.007	3/8 "	3/8 "	-	3/8 "	3/8 "
19.L03.008	1/2 "	1/2 "	1/2 "	1/2 "	1/2 "
19.L03.009	3/8 "	3/8 "	3/8 "	3/8 "	3/8 "
19.L03.0011	1/2 "	1/2 "	1/2 "	-	-
19.L03.0041	3/4 "	3/8 "	-	3/8 "	3/8 "
19.L03.0042	1/2 "	3/8 "	-	3/8 "	3/8 "
19.L03.0061	3/4 "	1/2 "	1/2 "	1/2 "	1/2 "
19.L03.0062	3/4 "	1/2 "	3/4 "	-	-